



ABLOY® CABINET LOCKS

The comprehensive ABLOY cabinet lock product range with versatile adjusting options offers endless possibilities for secure, functional, aesthetic locking solution.

Cabinet locks are used in variety of applications from high security indoor applications such as retail and museum fixtures to industrial enclosures in harsh outdoor weather conditions. ABLOY cabinet locks have a uniform, exquisite design which meet the quality and design requirements of our customers.



**ELECTRO-
MECHANICAL
PRODUCTS**



**FULL METAL
HOUSING**



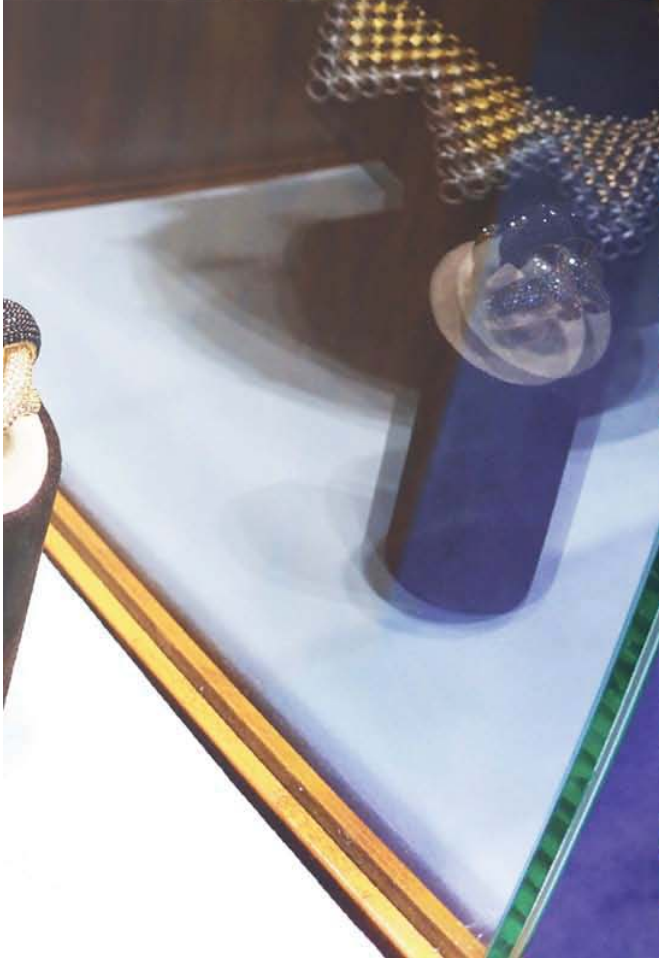
**BUMP PROOF
AND VIRTUALLY
PICK PROOF**



**ONE KEY
FITS ALL**



Museum and retail



Offices



Healthcare

ABLOY® CABINET LOCKS



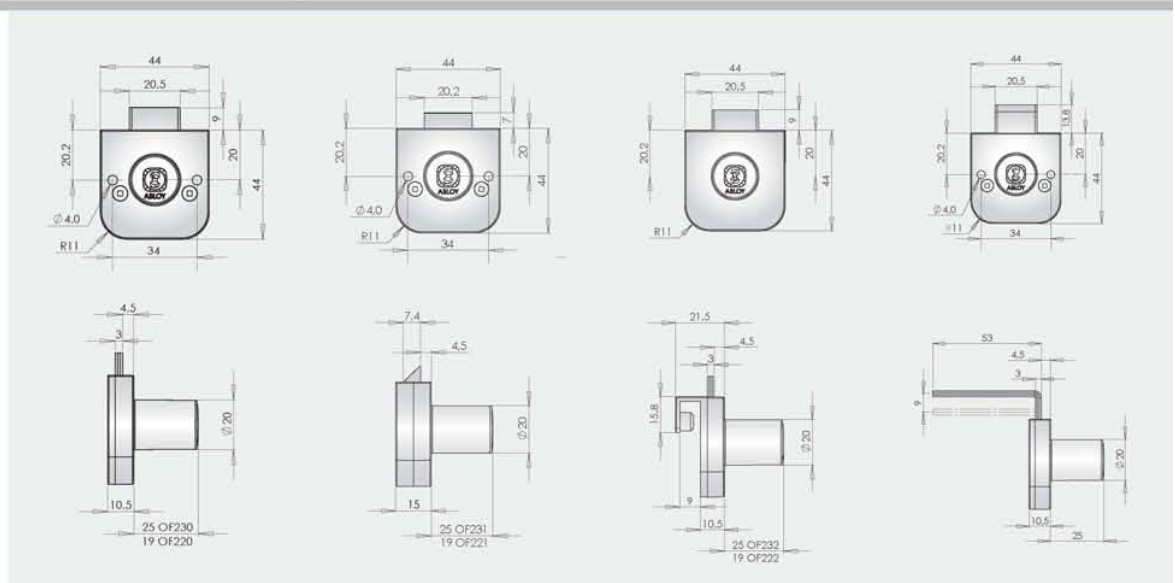
MODEL

	OF230		OF220		OF231		OF221		OF232		OF222		OF234
NUMBER OF DISCS	11		7		11		7		11		7		11
BOLT MATERIAL	NICKEL PLATED STEEL				BRASS				NICKEL PLATED STEEL				NICKEL PLATED STEEL
TYPE OF BOLT	FLAT				SPRING LATCH				FLAT				FLAT
MAX. INST. THICKNESS	25 mm		19 mm		25 mm		19 mm		8 mm		8 mm		25 mm
FINISHING	CHROME PLATED ZINC				CHROME PLATED ZINC				CHROME PLATED ZINC				CHROME PLATED ZINC
TYPE OF THE DOOR	SWING DOOR, DRAWER				SWING DOOR, DRAWER				SWING DOOR				DRAWER

CYLINDER

ABLOY® CLASSIC	X	X	X	X	X	X	X	X	X	X	X	X
ABLOY® SENTRY <u>PAT</u>	X	X	X	X	X	X	X	X	X	X	X	X
ABLOY® PROTEC <u>PAT</u>	X		X		X		X		X		X	X
ABLOY® NOVEL <u>PAT</u>	X											
ABLOY® PROTEC ² <u>PAT</u>	X		X									
ABLOY® PROTEC ² CLIQ <u>PAT</u>	OFL240		OFL241									OFL244

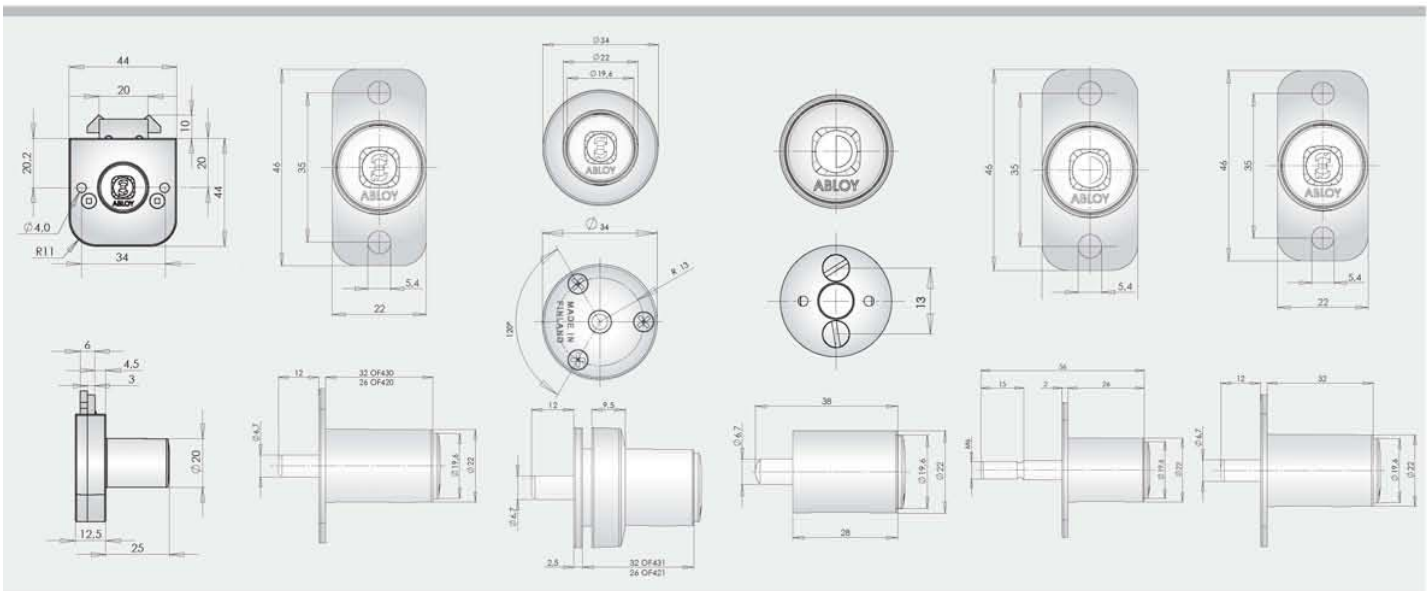
DIMENSIONS





OF235	OF430	OF420	OF431	OF421	OF423	OF424	OF433
11	11	7	11	7	11	7	11
NICKEL PLATED STEEL	STAINLESS STEEL		STAINLESS STEEL		STAINLESS STEEL	STAINLESS STEEL	STAINLESS STEEL
DOUBLE HOOK							
25 mm	32 mm	26 mm	2-9 mm	2-9 mm	28 mm	25 mm	32 mm
CHROME PLATED ZINC	CHROME PLATED ZINC		CHROME PLATED ZINC		SATIN CHROME PLATED ZINC/ SATIN CHROME PLATED BRASS	CHROME PLATED ZINC	CHROME PLATED ZINC
SLIDING DOOR, SWING DOOR	SLIDING DOOR		SLIDING DOOR		SLIDING DOOR	SLIDING DOOR	SLIDING DOOR

X	X	X	X	X	X	X	
X	X	X	X	X	X	X	
X	X	X	X	X			X
	X		X				X
OFL245	OFL430						



Integration with electromechanical CLIQ technology.

ABLOY PROTEC² can be integrated with electronic CLIQ technology, which enables flexible and secure access management, including time functions. It lifts locking security to a whole new level.



ELECTRO-MECHANICAL PRODUCTS



DOUBLE SECURED ACCESS CONTROL



TIME AND CALENDAR BASED ACCESS RIGHT



AUDIT TRAIL



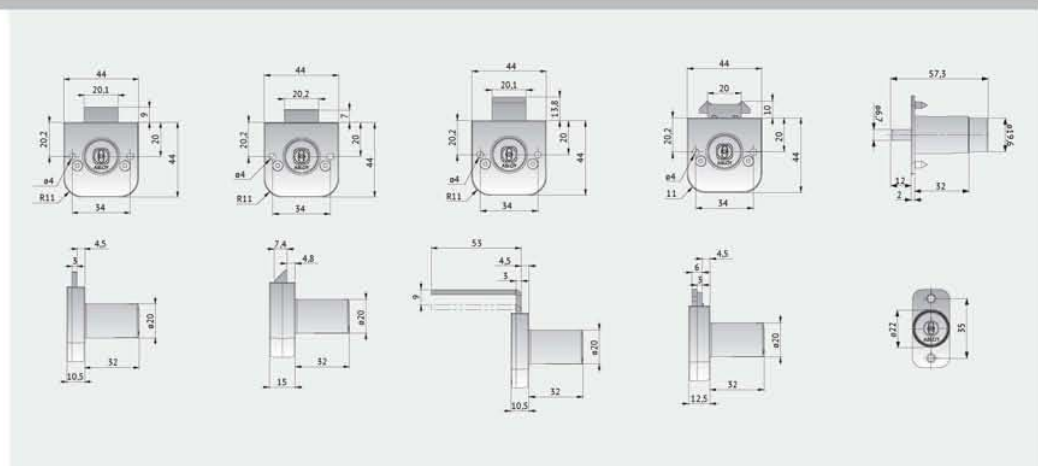
MODEL

	OFL240	OFL241	OFL244	OFL245	OFL430
NUMBER OF DISC	11	11	11	11	11
BOLT MATERIAL	NICKEL PLATED STEEL	BRASS	NICKEL PLATED STEEL	NICKEL PLATED STEEL	STAINLESS STEEL
TYPE OF BOLT	FLAT	SPRING LATCH	FLAT	DOUBLE HOOK	
MAX. INST. THICKNESS	25 mm	25 mm	25 mm	25 mm	32 mm
FINISHING	CHROME PLATED ZINC	CHROME PLATED ZINC	CHROME PLATED ZINC	CHROME PLATED ZINC	CHROME PLATED ZINC
TYPE OF THE DOOR	SWING DOOR, DRAWER	SWING DOOR, DRAWER	DRAWER	SWING DOOR	SWING DOOR

CYLINDER

ABLOY® PROTEC ² CLIQ	PAT	X	X	X	X	X
---------------------------------	------------	---	---	---	---	---

DIMENSIONS

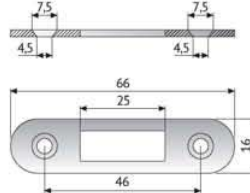


STRIKER PLATES

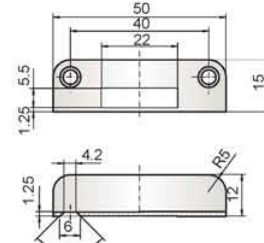
802330



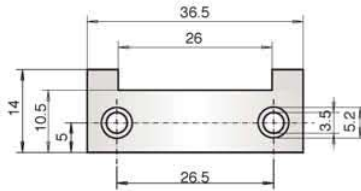
Material: Nickel plated steel



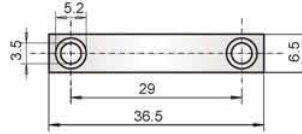
802330



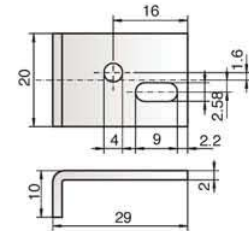
434987



434981



434980

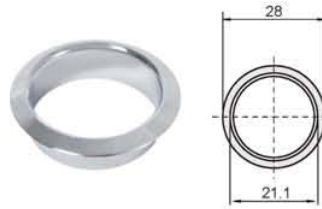


455365

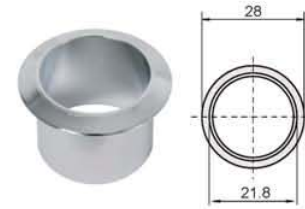
ESCUTCHEON RING



401746 Chrome plated brass
Used with 22 mm diameter
products, length 8 mm

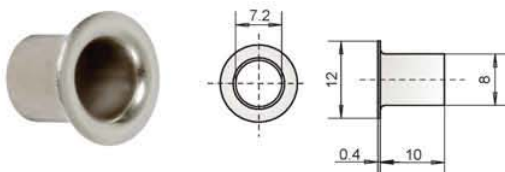


413529 Chrome plated brass
Used with 20 mm diameter
products, length 8 mm



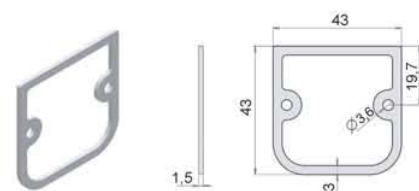
413571 Chrome plated brass
Used with 20 mm diameter
products, length 18 mm

KEEP 401930



Material: Nickel plated brass

LIFTING PLATE 814639



Plastic, 10 pcs./packing