

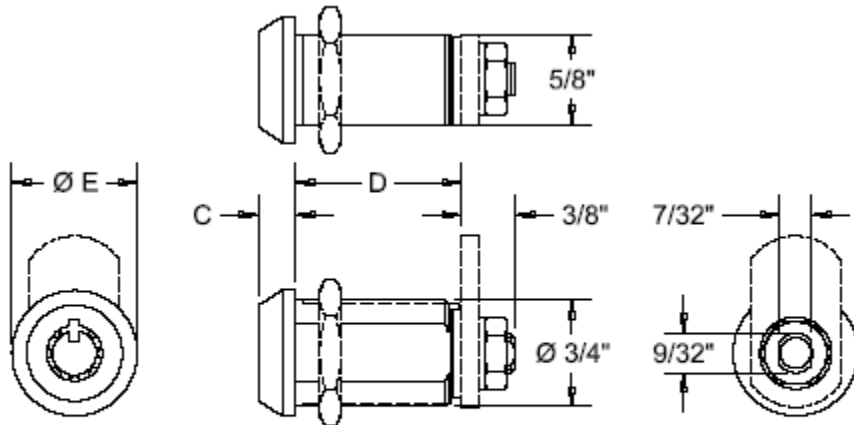
# midwest Security Products

3840 Herr Road Sylvania, OH 43560  
Tel: 419-534-6886 Fax: 419-534-6888  
www.mwspi.com

## CompX Gematic Cam Locks



The CompX Gematic camlocks are an ideal alternative to re-keying especially in low security applications. With eight different combinations in one lock, on site key changes can be done quickly and easily without removing or unlocking the unit. And since there is no outward indication as to which combination is the operative one, security is still maintained.



Size / Model	Cam Mounting	Dimension C	Dimension D	Dimension E
1058	Nut	1/4" (0.250)	23/32" (0.719)	7/8" (0.875)
1078	Nut	1/4" (0.250)	15/16" (0.938)	7/8" (0.875)
1118	Nut	1/4" (0.250)	1 5/32" (1.156)	7/8" (0.875)
1148	Nut	1/4" (0.250)	1 1/2" (1.500)	7/8" (0.875)

**8GS-N XXXX XXX-XK-XX**

Style;  
8GS = Gematic

Mounting:  
N = Nut

Size / Model:  
1038, 1058, 1078,  
1118, 1138

Lock Rotation:  
A = 90° Clockwise, 1 KP  
LA = 90°, Counterclockwise, 1 KP  
AD = 90°, Clockwise, 2 KP  
LAD = 90°, Counterclockwise, 2 KP  
B = 180° Clockwise, 1 KP  
LB = 180°, Counterclockwise, 1 KP  
BD = 180°, Clockwise, 2 KP  
LBD = 180°, Counterclockwise, 2 KP

Keying Instruction;  
KA = Keyed Alike  
KD = Keyed Different

Number of Keys;  
0 = No Keys  
1 = 1 Key  
2 = 2 Keys