

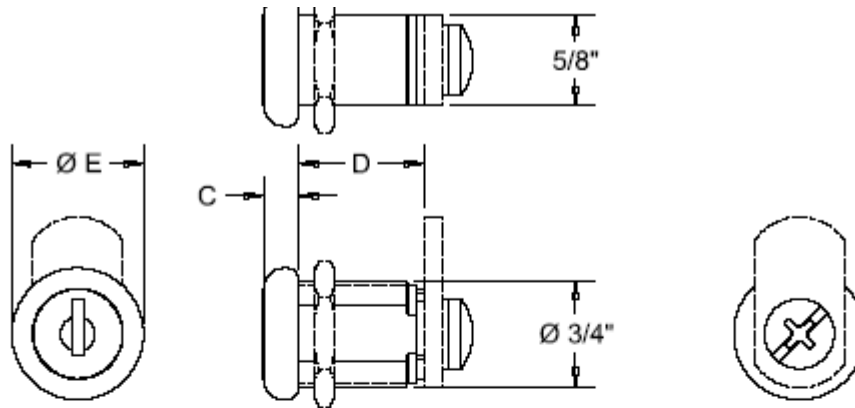
midwest Security Products

3840 Herr Road Sylvania, OH 43560
Tel: 419-534-6886 Fax: 419-534-6888
www.mwspi.com

CompX 9000 Series Cam Locks



The CompX 9000 series cam lock is ideal for medium security applications at an economical price. The 9000 has greater tumbler penetration into the barrel splines that a standard lock, and with its "floating tumbler" concept, the pick resistance qualities increase immeasurably. Available in standard sizes from 3/8" to 1 3/8".



Size / Model	Cam Mounting	Dimension C	Dimension D	Dimension E
9038	Nut	1/4" (0.250)	1/2" (0.500)	29/32" (0.906)
9058	Sem Screw	1/4" (0.250)	5/8" (0.625)	29/32" (0.906)
9078	Sem Screw	1/4" (0.250)	7/8" (0.875)	29/32" (0.906)
9118	Sem Screw	1/4" (0.250)	1 1/8" (1.160)	29/32" (0.906)
9138	Sem Screw	1/4" (0.250)	1 3/8" (1.375)	29/32" (0.906)

X XXXX XXX-XX-XK-XX

Mounting:
C = Clip **
N = Nut

Size / Model:
9038, 9058, 9078,
9118, 9138

Lock Rotation:
A = 90° Clockwise, 1 KP
LA = 90°, Counterclockwise, 1 KP
AD = 90°, Clockwise, 2 KP
LAD = 90°, Counterclockwise, 2 KP
B = 180° Clockwise, 1 KP
LB = 180°, Counterclockwise, 1 KP
BD = 180°, Clockwise, 2 KP
LBD = 180°, Counterclockwise, 2 KP

Keying Instruction:
KA = Keyed Alike
KD = Keyed Different

Number of Keys:
0 = No Keys
1 = 1 Key
2 = 2 Keys

Lock Assembly:
SF = Stop Fixed
SL = Stop Loose
CA = Cam Assembled
CF = Cam Fixed, Not Removable
(9038, 9058 Only)

** Only available on sizes 9038, 9058, 9078