

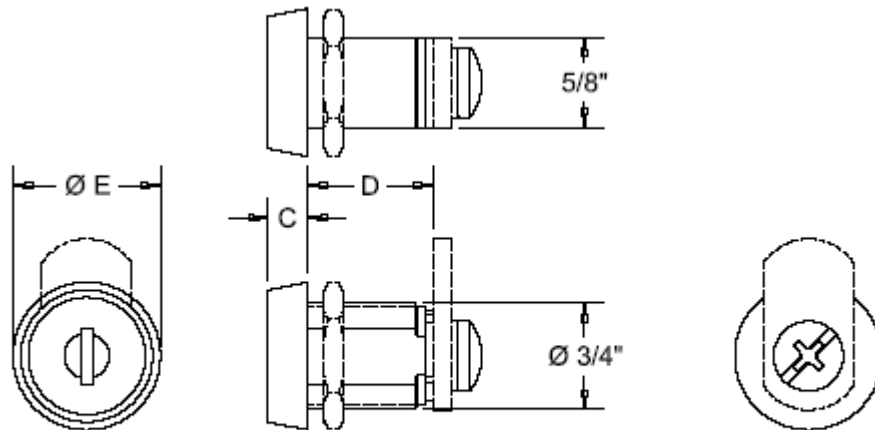
midwest Security Products

3840 Herr Road Sylvania, OH 43560
Tel: 419-534-6886 Fax: 419-534-6888
www.mwspi.com

CompX 5000 Series Cam Locks



The CompX 5000 Series camlock is ideal for medium security applications at an economical price. The 5000 offers greater resistance to lock picking because of its double betted design, and can be master keyed if desired. Available in standard sizes from 3/8" to 1 3/8", this lock can be assembled to match many existing key codes.



Size / Model	Cam Mounting	Dimension C	Dimension D	Dimension E
5078	Sem Screw	1/4" (0.250)	7/8" (0.875)	1" (1.000)
5118	Sem Screw	1/4" (0.250)	1 1/8" (1.125)	1" (1.000)

N XXXX XXX-XX-XK-XX

Mounting:

N = Nut

Size / Model:
5078, 5118

Lock Rotation:

A = 90° Clockwise, 1 KP

LA = 90°, Counterclockwise, 1 KP

AD = 90°, Clockwise, 2 KP

LAD = 90°, Counterclockwise, 2 KP

B = 180° Clockwise, 1 KP

LB = 180°, Counterclockwise, 1 KP

BD = 180°, Clockwise, 2 KP

LBD = 180°, Counterclockwise, 2 KP

Keying Instruction;

KA = Keyed Alike
KD = Keyed Different

Number of Keys;

0 = No Keys

1 = 1 Key

2 = 2 Keys

Lock Assembly:

SF = Stop Fixed

SL = Stop Loose

CA = Cam Assembled