

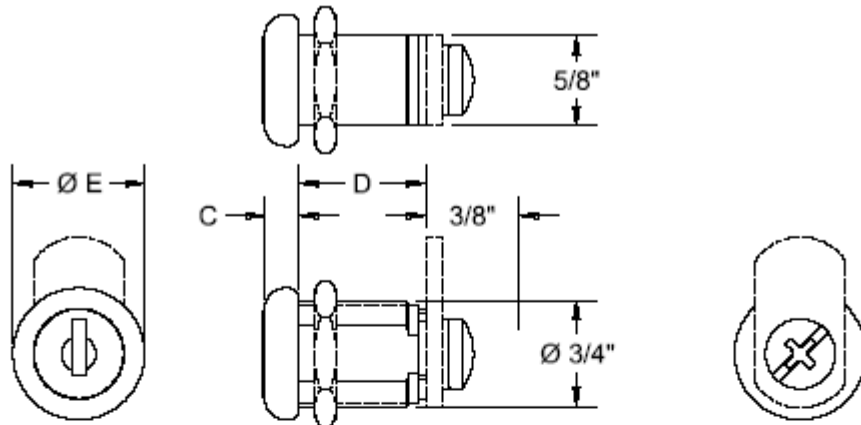
midwest Security Products

3840 Herr Road Sylvania, OH 43560
Tel: 419-534-6886 Fax: 419-534-6888
www.mwspi.com

CompX 3000 Series Cam Locks



The CompX 3000 series cam lock is suitable for installations requiring medium security at an economical price. The industry standard for this size of lock calls for five disc tumblers, with the 3000 series that has been expanded to six disc tumblers. This increase in tumblers offers better pick resistance and a greater number of different key changes. Available in standard sizes from 3/8" to 1 3/8"



Size / Model	Cam Mounting	Dimension C	Dimension D	Dimension E
3038	Nut	1/4" (0.250)	7/16" (0.420)	29/32" (0.906)
3058	Sem Screw	1/4" (0.250)	5/8" (0.625)	29/32" (0.906)
3078	Sem Screw	1/4" (0.250)	7/8" (0.875)	29/32" (0.906)
3118	Sem Screw	1/4" (0.250)	1 1/8" (1.125)	29/32" (0.906)
3138	Sem Screw	1/4" (0.250)	1 3/8" (1.375)	29/32" (0.906)
3168	Sem Screw	1/4" (0.250)	1 3/4" (1.750)	29/32" (0.906)

X XXXX XXX-XX-XK-XX

Mounting:
C = Clip **
N = Nut

Size / Model:
3038, 3058, 3078,
3118, 3138, 3168

Lock Rotation:
A = 90° Clockwise, 1 KP
LA = 90°, Counterclockwise, 1 KP
AD = 90°, Clockwise, 2 KP
LAD = 90°, Counterclockwise, 2 KP
B = 180° Clockwise, 1 KP
LB = 180°, Counterclockwise, 1 KP
BD = 180°, Clockwise, 2 KP
LBD = 180°, Counterclockwise, 2 KP

Keying Instruction:
KA = Keyed Alike
KD = Keyed Different

Number of Keys:
0 = No Keys
1 = 1 Key
2 = 2 Keys

Lock Assembly:
SF = Stop Fixed
SL = Stop Loose
CA = Cam Assembled
CF = Cam Fixed, Not Removable
(3038, 3058 Only)

** Only available on sizes 3038, 3058, 3078