

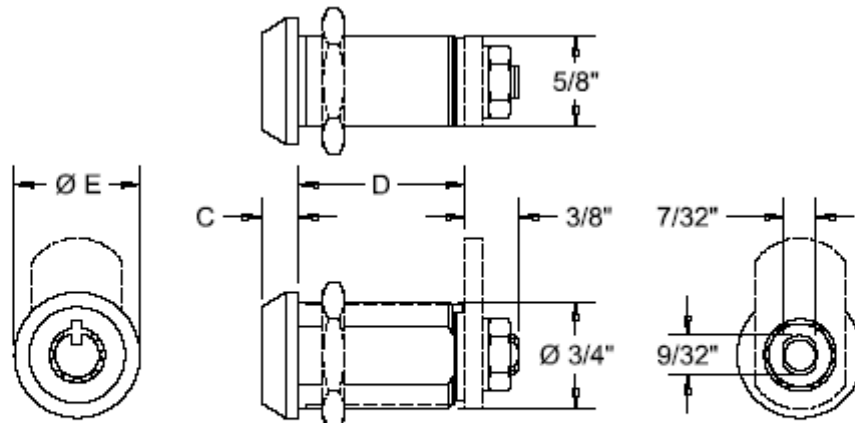
# midwest Security Products

3840 Herr Road Sylvania, OH 43560  
Tel: 419-534-6886 Fax: 419-534-6888  
www.mwspi.com

## CompX 1000 Series Camlocks



The CompX 1000 Series Gem camlock is an ideal solution for low security applications. Constructed from zinc and brass, with heads that are nickel plated for corrosion resistance, this lock is economical yet functional. Available in standard sizes ranging from 3/8" to 1 1/2", this lock meets the needs of the end user looking for quality and an affordable price.



Size / Model	Cam Mounting	Dimension C	Dimension D	Dimension E
1038	Nut	1/4" (0.250)	1/2" (0.500)	7/8" (0.875)
1058	Nut	1/4" (0.250)	23/32" (0.720)	7/8" (0.875)
1078	Nut	1/4" (0.250)	15/16" (0.940)	7/8" (0.875)
1118	Nut	1/4" (0.250)	1 5/32" (1.160)	7/8" (0.875)
1148	Nut	1/4" (0.250)	1 1/2" (1.500)	7/8" (0.875)

**N XXXX XXX-XK-XX**

Mounting:  
N = Nut

Size / Model:  
1038, 1058, 1078,  
1118, 1138

Lock Rotation:  
A = 90° Clockwise, 1 KP  
LA = 90°, Counterclockwise, 1 KP  
AD = 90°, Clockwise, 2 KP  
LAD = 90°, Counterclockwise, 2 KP  
B = 180° Clockwise, 1 KP  
LB = 180°, Counterclockwise, 1 KP  
BD = 180°, Clockwise, 2 KP  
LBD = 180°, Counterclockwise, 2 KP

Keying Instruction:  
KA = Keyed Alike  
KD = Keyed Different

Number of Keys:  
0 = No Keys  
1 = 1 Key  
2 = 2 Keys